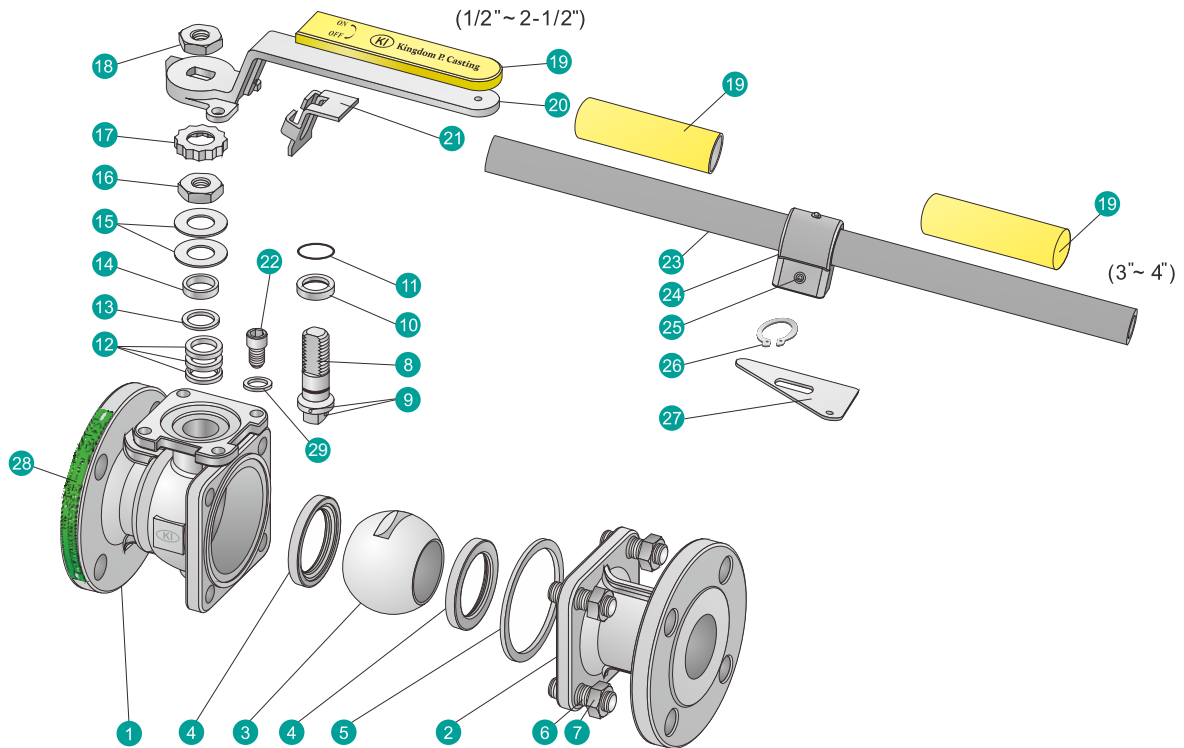


Standard	ANSI/ASME	DIN	JIS
Rating	B16.34 CLASS 150 (BS EN ISO17292 CLASS 150) B16.34 CLASS 300 (BS EN ISO17292 CLASS 300)	DIN 3357 PN10 - PN40 EN 12516-1	B2001 10K B2001 20K
Face to Face	B16.10	DIN 3202 F4/F18 DIN 3202 F1/F17 EN 558 Series28 / Series27	B2002 10K Form 6 B2002 20K Form 10
Connection Facing	B16.5RF serrated Finish (AARH200 or Ra. 6.3 um)	DIN EN1092-1	B2220 10K B2220 20K
Inspection & Testing	API 598, API 6D	DIN 3230/3, EN 12266	JIS B2003
Quality Assurance	ISO 9001, QS9000 AD 2000 - Merkblatt W0 PED 97/23/EC CE0036 API 6D	ISO 9001, QS9000 AD 2000 - Merkblatt W0 PED 97/23/EC CE0036 API 6D	ISO 9001, QS9000 AD 2000 - Merkblatt W0 PED 97/23/EC CE 0036 API 6D

AVAILABLE OPTIONS

- Other Alloy are Available
- Casting per NACE/MR - 01 - 75 for Sour Gas Service.
- Inspection Certificate according to EN 10204 3.2 Form



MATERIALS

NO.	PART NAME	MATERIALS		
		ANSI	ANSI	ANSI
1	Body	A351 - CF8M	A351 - CF8	A216 - WCB
2	End Cap	A351 - CF8M	A351 - CF8	A216 - WCB
3	Ball	A351 - CF8M	A351 - CF8	
4	Ball Seat		TFM1600/ PTFE / RTFE	
5	Body Gasket		PTFE / 316 SPIRAL WOUND+GRAFOIL*	
6	Bolting	A193-B8		A193-B7
7	Bolt Nut	A194-8		A194-2H
8	Stem	316		304
9	Anti-Static Device	316		304
10	Thrust Washer		PTFE	
11	O-Ring		FKM	
12	Stem Packing		PTFE / GRAFOIL*	
13	Bushing		50%SS+50%PTFE / 304*	
14	Gland		316	
15	Belleville Washer		301	
16	Stem Nut		A194 - 8	
17	Stop-lock-cap		304	
18	Lever Nut (1/2"~2-1/2")		A194 - 8	
19	Lever Sleeve (1/2"~2-1/2")		VINYL PLASTIC	
20	Lever (1/2"~2-1/2")		304	
21	Lock Device (1/2"~2-1/2")		304	
22	Stop Bolt		A2-70	
23	Pipe Handle (3"~4")		A53+Zn PLATED	
24	Handle Adapter (3"~4")		A351 - CF8	
25	Set Screw (3"~4")		A193 - B8	
26	Snap Ring (3"~4")		304	
27	Triangle Stopper (3"~4")		304	
28	Nameplate		304	
29	Bearing		304	

*Materials for KV-060 Series (Fire-Safe Models)

JIS 10K 2-PC Body, Flanged Ends, Full Port

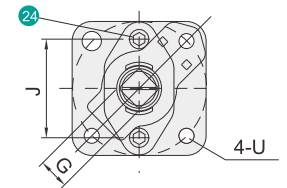
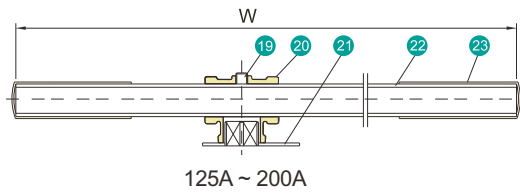
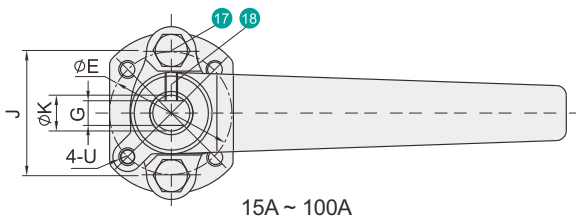
KV-G4A (Bracket Mount Type)
KV-G6A (Bracket Mount Type / Fire Safe Type)

DESIGN FEATURES:

- Built-in ISO 5211 Mounting Pad for Easy Automation
- **Fire Safe** Design
- Anti-Static Devices for Ball-Stem-Body
- Blow-out Proof Stem
- Pressure Balance Hole in Ball Slot
- Casting Boss on Body for Draining

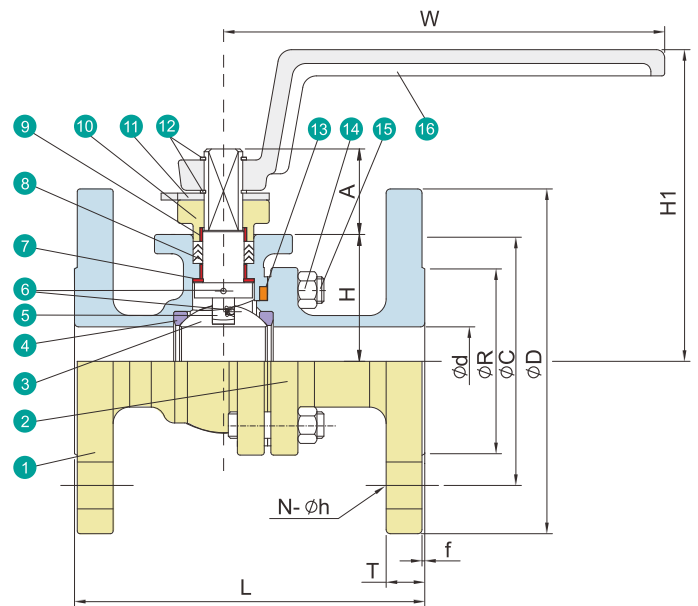
APPLICABLE STANDARDS:

- Design : ASME B16.34
- Fire Safe : API 607 5th 2005, ISO 10497
- Face to Face : JIS B2002 (ASME B16.10)
- Flanged Ends : JIS B2220
- Wall Thickness : ASME B16.34
- Inspection & Testing : JIS B2003, API 598



NO.	PART NAME	MATERIAL		
1	Body	SCS 14A	SCS 13A	SCPH2
2	Cap	SCS 14A	SCS 13A	SCPH2
3	Ball	SCS 14A	SCS 13A	
4	Ball Seat	TFM1600 / PTFE		
5	Stem	SUS 316	SUS 304	
6	Anti-Static	SUS 316	SUS 304	
7	L-Stem Bearing	PTFE		
8	V-Ring Packing	PTFE/GRAFOIL*		
9	Stem Jacket	PTFE		
10	Yoke	SCS 13A		
11	Triangle Stopper	SUS 304		
12	Snap Ring	SUS 304		
13	Body Gasket	PTFE / 316 SPIRAL WOUND+GRAFOIL*		
14	Nut	A2-70	8	
15	Bolting	A2-70	8.8	
16	Handle (15A-100A)	A216 - WCB		
17	Bolting	A2-70		
18	Set Screw	A2-70		
19	Set Screw (125A-200A)	A2-70		
20	Handle Adapter (125A-200A)	A351 - CF8		
21	Triangle Stopper (125A-200A)	SUS304		
22	Handle (125A-200A)	A53+Zn PLATED		
23	Handle Sleeve (125A-200A)	VINYL PLASTIC		
24	Stop Bolt (125A-200A)	A2-70		

*Materials for KV-G6A (Fire-Safe Models)



■ JIS 10K

KV-G4A, KV-G6A

Unit : mm

SIZE	d	L	R	D	C	f	T	H	H1	N	h	W	G	K	A	J	U	E	ISO 5211	
15A	1/2"	15.0	108	51	95	70	1	12	34.5	91	4	15	135	6.3	12	26	40	M5	42	F04
20A	3/4"	20.0	117	56	100	75	1	14	38.5	95	4	15	135	6.3	12	26	40	M5	42	F04
25A	1"	25.0	127	67	125	90	1	14	46.0	108	4	19	170	9.0	15	31	50	M6	50	F05
32A	1-1/4"	32.0	140	76	135	100	2	16	50.0	113	4	19	170	9.0	15	31	50	M6	50	F05
40A	1-1/2"	38.0	165	81	140	105	2	16	61.5	128	4	19	200	9.6	16	39	66	M8	70	F07
50A	2"	50.0	178	96	155	120	2	16	71.0	138	4	19	200	9.6	16	39	66	M8	70	F07
65A	2-1/2"	63.5	190	116	175	140	2	18	89.0	160	4	19	250	16.0	24	49	75	M10	102	F10
80A	3"	76.0	203	126	185	150	2	18	100.0	172	4	19	250	16.0	24	49	75	M10	102	F10
100A	4"	100.0	229	151	210	175	2	18	121.0	194	8	19	280	18.0	29	53	75	M10	102	F10
125A	5"	125.0	356	182	250	210	2	20	183.0	285	8	23	600	23.0	36	57	92	ø14	125	F12
150A	6"	150.0	394	212	280	240	2	22	203.0	304	8	23	800	23.0	36	57	92	ø14	125	F12
200A	8"	200.0	457	262	330	290	2	22	252.0	375	12	23	800	26.0	42	62	92	ø14	125	F12